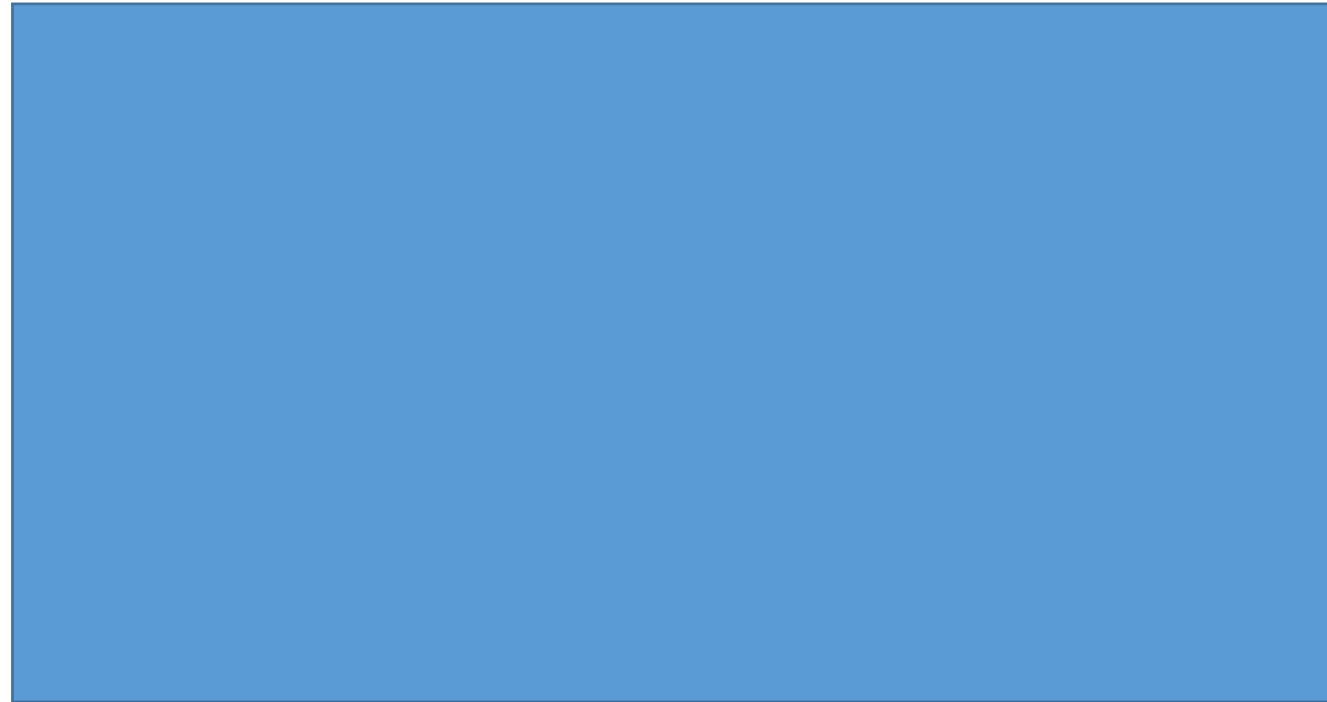


## Agenda:

- Continue notes
- Class time for homework

## Bell Work

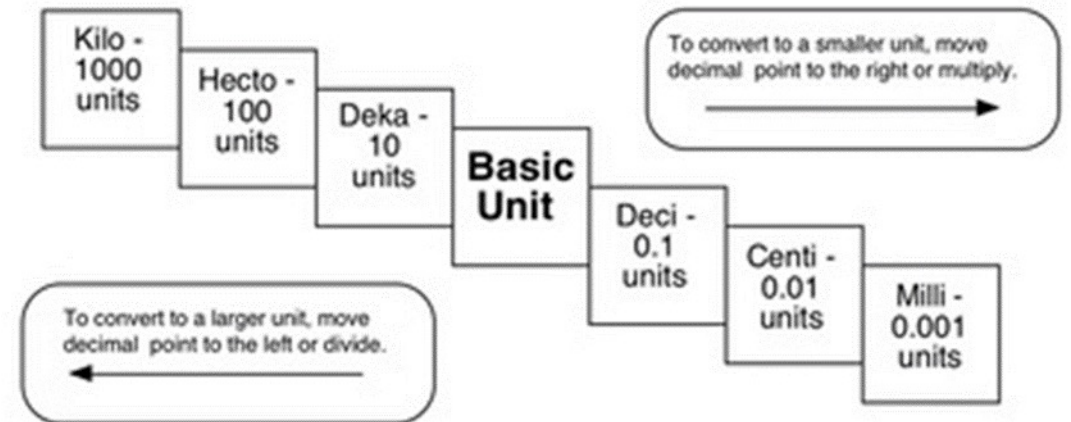


Good, good...

Let the Metric System flow through you.

quickmeme.com

**HAVE MAKING MEASUREMENTS  
ACTIVITY ON YOUR DESK!!!**



# METRIC CONVERSION PROBLEMS HOMEWORK

## METRIC CONVERSION PROBLEMS HOMEWORK

Write a total of 15 metric conversion problems with an answer key! If you write an awesome question you just may see it on a quiz or exam DURING THIS UNIT! Staple this rubric to the front of your word problems.

Name, Grade, and Group: \_\_\_\_\_

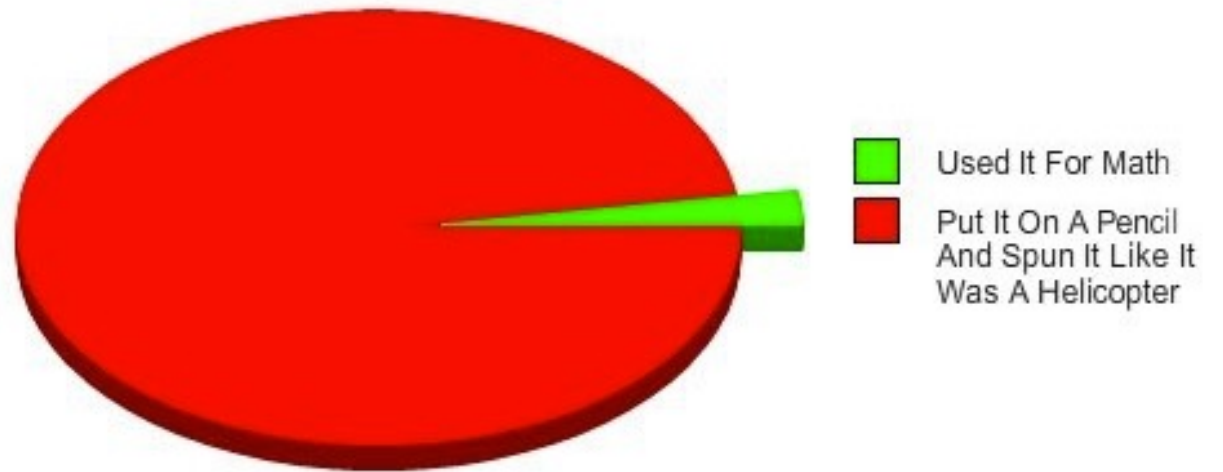
Assignment	Worth	Awarded
5 length questions Meters (m) <u>2 points each</u>	10 points	
5 volume questions Liters (L) <u>2 points each</u>	10 points	
5 mass questions Grams (g) <u>2 points each</u>	10 points	
Answer key	10 points	
<b>Total</b>	<b>40 points</b>	

# Length

**Length** is measurement of **distance** – how far one thing is from another.

The metric base unit for length is the **meter (m)**.

## What You Did With Rulers In School

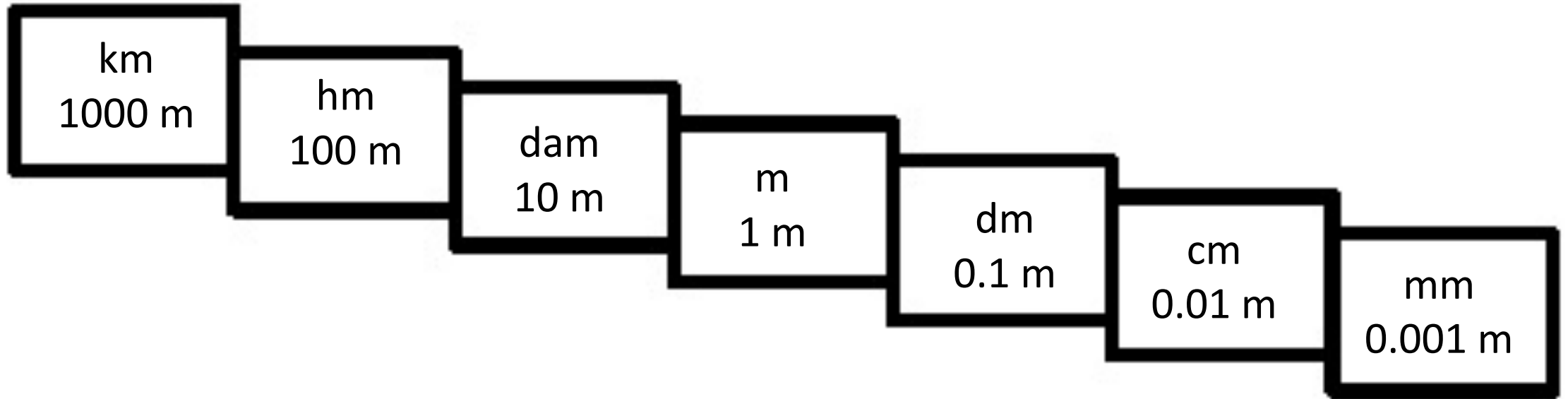


Write the correct abbreviation for each metric unit of length.

1. Kilometer =
2. Meter =
3. Millimeter =
4. Decimeter =
5. Dekameter =
6. Centimeter =
7. Hectometer =



Fill in the stair steps for length.



# What does each unit represent?

1. mm =
2. cm =
3. m =
4. km =
5. dm =
6. dam =
7. hm =

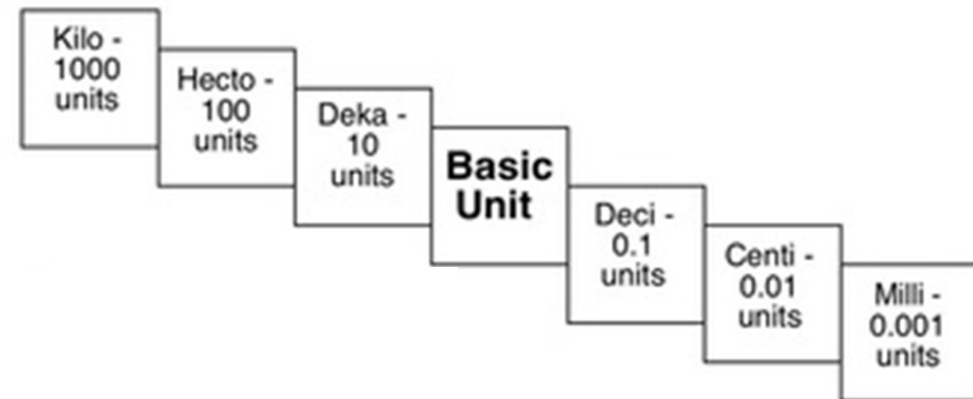
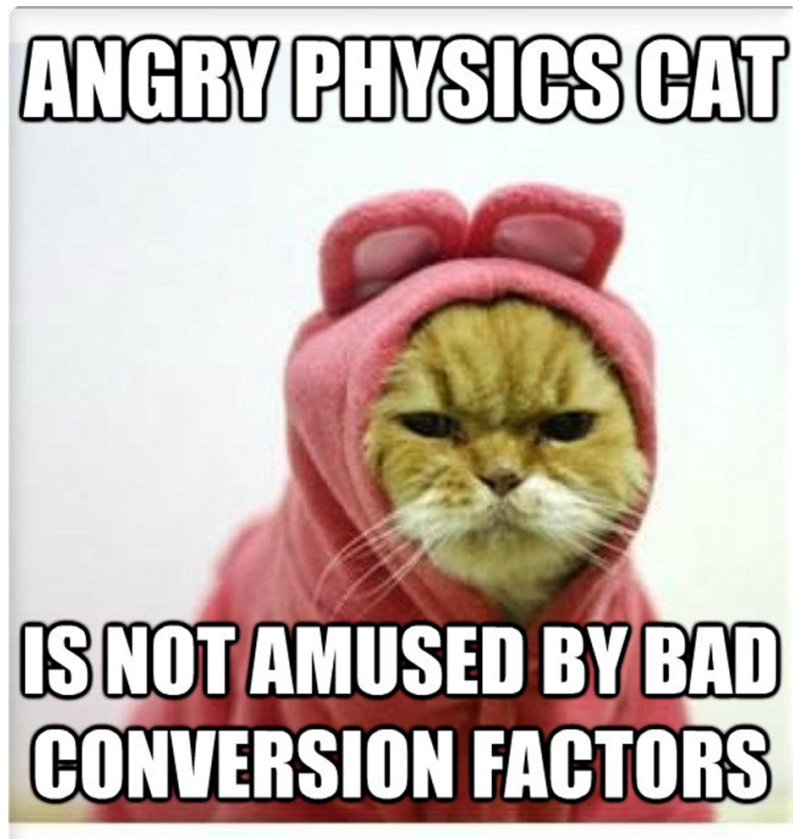


# How much do each of these equal?

1)  $1 \text{ m} = \quad \text{cm}$

2)  $1 \text{ cm} = \quad \text{mm}$

3)  $1 \text{ km} = \quad \text{m}$



# Which measurement is the largest? Circle your answer for each pair?

HINT! Convert one of the values to the same units as the other value *before* comparing!!!

$14 \text{ mm} = 1.4 \text{ cm}$

1) 14 mm or 1 cm

$334 \text{ m} = 0.334 \text{ km}$

2) 334 m or 1 km

$1 \text{ m} = 100 \text{ cm}$

3) 1 m or 990 cm

$145 \text{ m} = 0.145 \text{ km}$

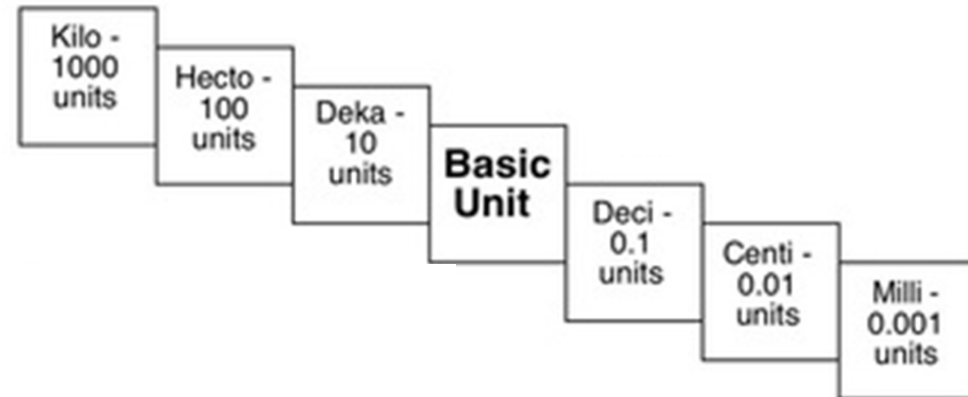
4) 145 m or 145 km

$30 \text{ mm} = 3 \text{ cm}$

5) 30 mm or 3.4 cm

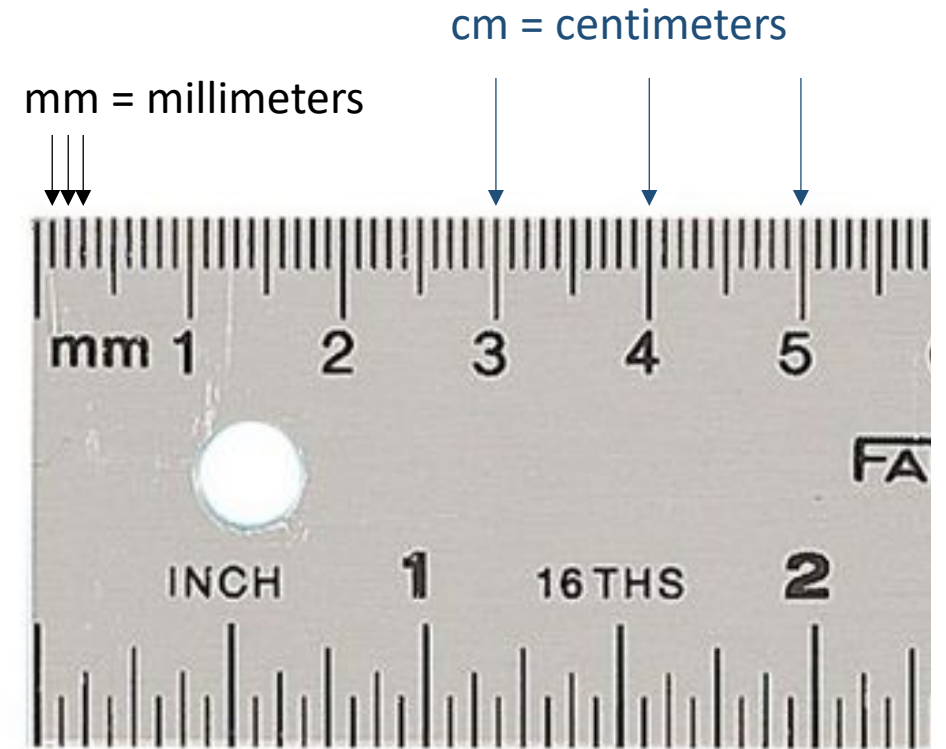
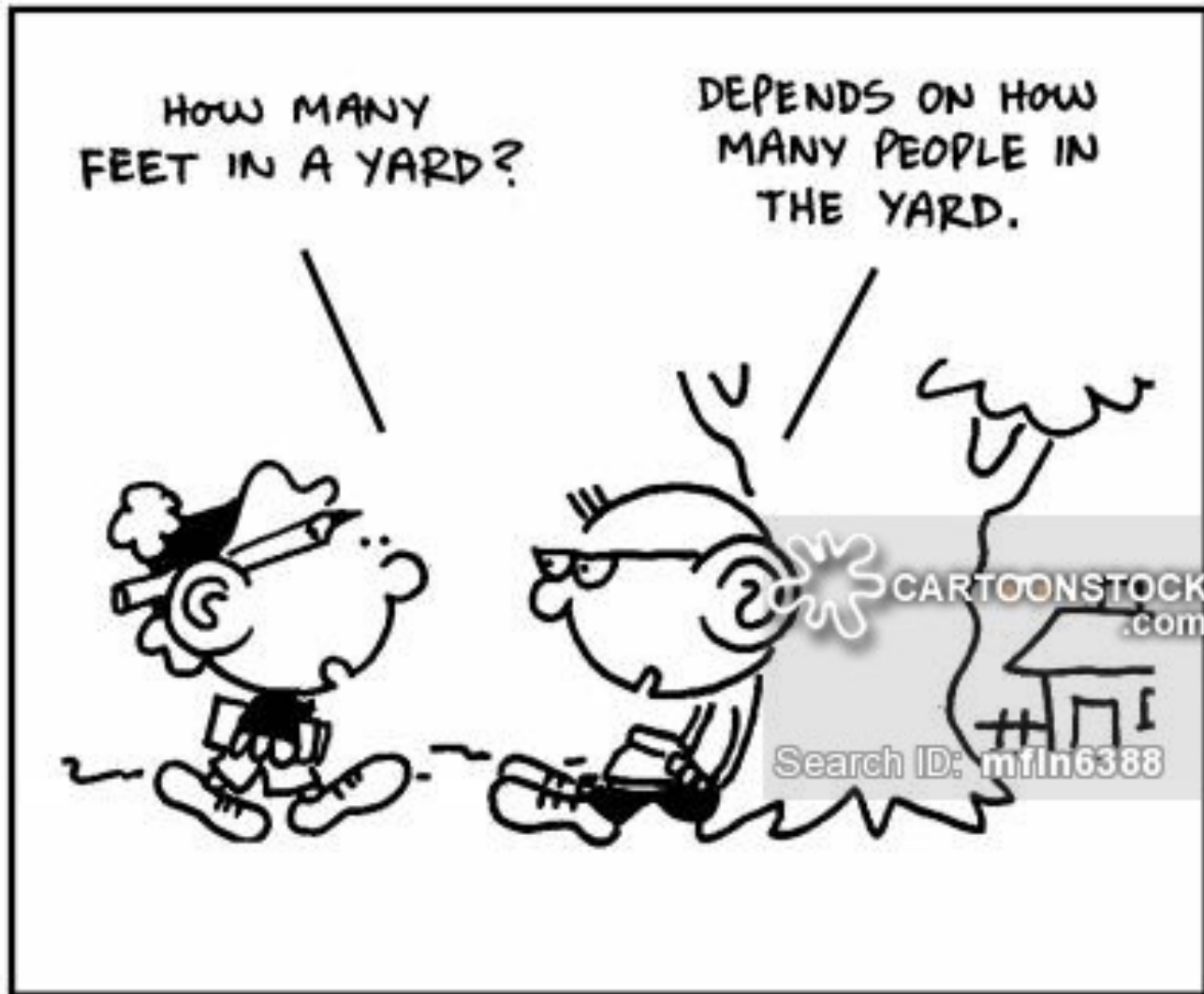
$10 \text{ km} = 1,000,000 \text{ cm}$

6) 10 km or 1000 cm





# Making Measurements Activity!



k h da u d c m

